

WINMAN V21 Serisi / V21 Series

Karakteristik Özellikler / Characteristic Features

It adapts the gerclor design, which has a higher distribution accuracy.
 Shaft seal is adapted, which can bear higher back pressure.
 A variety of connection types of flange, output shaft and oil port.
 Direction of shaft rotation and speed can be controlled easily and smoothly.
 Small volume; compact structure.

Ana Özellikler / Main Specification

(ml/r) Displacement		50	63	80	100	125	160	200	250	315	400	500
(LPM) Flow	Cont.	40	53	58	58	58	58	58	58	58	58	58
	Int..	46	58	68	68	68	68	68	68	68	68	68
(RPM) Flow	Cont.	760	730	653	551	440	344	276	220	175	140	110
	Int..	863	832	766	646	516	404	323	258	205	162	128
(MPa) Pressure	Cont.	14	14	14	14	14	14	12.5	11	9	9	8
	Int..	17	17	17	17	17	17	15	13	11	10	9
(N*m) Torque	Cont.	89	112	142	178	223	285	318	350	360	418	464
	Int..	108	136	172	216	270	346	382	413	400	464	500

- Note: 1. Intermittent means the entrance of the maximum pressure; continuous working pressure means the differential pressure.
 2. Motor should not work under the highest pressure and the maximum speed.
 3. Recommending N68 anti-wear hydraulic oil, viscosity 37-73cSt, cleanliness ISO 18/13.
 4. The running time should not exceed 10% under intermittent working conditions
 5. The Maximum working temperature is 80°.
 6. one hour running time under 40% of maximum working pressure is recommended before full capacity working.
 7. The maximum allowable back pressure is 10MPa, but the recommended back pressure should not exceed 5MPa. a leaking pipes is needed when exceeding.

WINMAN V21 Performans Verisi / V21 Performance Data
V21-50 50ml/r

		ΔP (MPa)							
		5	7	9	10	12	14	16	17.5
Flow (L/min)	5	35 95	45 85	60 75	66 74	78 70	89 45		
	10	36 185	45 175	63 165	68 162	79 150	95 130	106 110	120 85
	15	35 282	49 276	65 265	75 260	88 250	100 230	110 210	120 185
	20	34 375	45 374	65 365	69 360	85 345	95 330	110 308	125 275
	25	34 475	45 466	60 60	69 450	80 436	98 420	109 395	125 360
	30	35 575	45 570	60 561	68 552	80 541	95 531	109 500	125 465
	35	32 665	42 663	59 655	66 654	80 635	93 623	107 598	
	40	30 760	41 758	58 753	66 750	79 738	92 725	105 700	
	45	39 855	40 855	58 850	65 845	78 835	90 814		

V21-63 63ml/r

		ΔP (MPa)							
		5	7	9	10	12	14	16	17.5
Flow (L/min)	5	41 76	60 67	76 59	83 58	98 55	112 36		
	10	45 146	61 138	77 130	85 125	101 120	118 102	132 87	150 67
	15	43 222	61 218	80 209	92 202	110 190	125 160	138 145	150 130
	20	43 295	57 294	82 288	87 284	105 272	120 245	129 223	152 195
	25	48 375	56 368	76 363	86 355	100 312	122 312	130 255	153 205
	30	44 454	56 450	74 443	85 431	100 427	120 419	136 395	157 367
	35	40 525	53 523	74 517	83 516	100 501	117 492	134 472	
	40	37 600	52 598	73 594	82 592	98 583	115 572		
	45	28 675	48 675	70 671	80 667	93 659			

V21-80 80ml/r

		ΔP (MPa)							
		5	7	9	10	12	14	16	17.5
Flow (L/min)	5	56 115	78 108	98 105	107 100	130 91	148 75	170 53	180 45
	10	50 238	82 235	105 226	118 223	132 208	160 195	180 173	188 162
	15	48 364	75 360	96 356	115 345	130 330	150 320	178 300	190 283
	20	45 487	72 482	97 475	105 472	128 460	149 446	177 420	189 409
	25	42 615	70 615	90 606	98 599	125 590	147 568	171 547	187 535
	30	40 740	63 724	85 720	95 715	118 705	142 688	169 668	185 657
	35	36 860	58 852	82 840	90 837	112 820	139 810	165 790	
	40	29 925	56 915	77 910	85 899	110 886	133 870		

V21-100 100ml/r

		ΔP (MPa)							
		5	7	9	10	12	14	16	17.5
Flow (L/min)	5	73 99	99 95	123 86	139 85	160 75	183 62	210 52	223 45
	10	68 199	95 195	123 187	143 182	165 175	199 163	220 150	238 138
	15	65 299	95 294	120 288	140 285	165 278	194 263	220 249	240 235
	20	59 400	88 398	119 387	135 385	161 380	192 366	218 350	238 336
	25	55 499	85 495	118 488	125 484	157 475	185 463	217 451	235 436
	30	48 599	79 595	110 587	119 585	150 579	180 568	216 550	235 536
	35	43 699	70 692	100 687	112 683	142 679	170 668	200 645	
	40	39 748	63 740	98 737	105 735	140 720			

WINMAN V21 Performans Verisi / V21 Performance Data
V21-125 125ml/r

		ΔP (MPa)							
		5	7	9	10	12	14	16	17.5
Flow (L/min)	5	90 72	78 108	98 105	107 100	130 91	148 75	170 53	180 45
	10	85 155	82 235	105 226	118 223	132 208	160 195	180 173	188 162
	15	42 236	75 360	96 356	115 345	130 330	150 320	178 300	190 283
	20	79 315	72 482	97 475	105 472	128 460	149 446	177 420	189 409
	25	75 399	70 615	90 606	98 599	125 590	147 568	171 547	187 535
	30	60 475	63 724	85 720	95 715	118 705	142 688	169 668	185 657
	35	60 555	58 852	82 840	90 837	120 820	139 810	165 790	
	40	55 595	56 915	77 910	85 899	110 886	133 870		

V21-160 160ml/r

		ΔP (MPa)							
		5	7	9	10	12	14	16	17.5
Flow (L/min)	5	115 57	160 56	205 52	220 50	262 43	300 38	340 34	362 27
	10	115 119	160 115	206 110	230 108	265 102	320 95	355 84	380 76
	15	105 184	75 360	96 356	115 345	130 330	150 320	178 300	190 283
	20	100 247	145 245	195 238	218 236	256 230	299 217	340 199	375 185
	25	92 307	142 305	188 300	209 298	250 290	295 280	336 261	366 244
	30	84 369	137 367	180 365	199 361	240 355	286 342	330 334	360 304
	35	65 436	120 435	165 430	180 427	223 415	282 402		
	40	60 465	117 462	158 459	175 456	220 477			

V21-200 200ml/r

		ΔP (MPa)						
		5	7	9	10.5	12	14	17.5
Flow (L/min)	5	149 50	205 48	255 45	290 43	328 40	370 30	443 23
	10	140 99	202 96	250 93	323 90	330 85	411 78	448 65
	15	130 150	192 148	242 140	304 136	325 131	376 122	445 105
	20	125 200	186 196	233 193	305 188	314 181	390 170	436 149
	25	120 250	177 247	225 242	295 238	305 231	382 218	427 192
	30	110 300	166 295	220 290	285 288	292 282	373 268	
	35	98 350	150 348	205 342	244 338	278 330		
	40	85 375	141 372	199 366	235 362			

V21-250 250ml/r

		ΔP (MPa)							
		3	5	9	10	12	14	16	17.5
Flow (L/min)	5	115 40	182 39	252 38	295 35	350 32	380 30	470 23	535 16
	10	110 80	178 79	252 75	295 75	352 69	385 67	470 57	548 48
	15	100 120	170 119	250 116	285 115	349 110	380 106	469 95	546 80
	20	90 159	159 156	232 155	269 153	330 150	366 147	460 130	530 110
	25	80 200	148 198	216 195	252 194	320 162	352 160	453 152	520 147
	30	75 240	130 240	200 238	235 236	305 232	340 228	433 210	
	35	50 280	117 278	190 278	220 275	290 270	320 267		
	40	42 300	105 299	180 298	210 297	280 294			

WINMAN V21 Performans Verisi / V21 Performance Data

V21-315 315ml/r

		ΔP (MPa)						
		5	7	9	10.5	12	14	17.5
Flow (L/min)	10	135 32	215 28	279 26	343 25	385 24	515 23	
	20	135 60	216 59	288 58	350 57	380 56	508 52	552 50
	30	125 93	205 91	275 90	340 89	375 88	494 80	543 79
	40	115 122	195 120	266 119	335 118	366 117	485 105	526 104
	50	90 153	170 152	252 151	320 148	352 146	474 137	511 132
	60	80 190	160 185	230 190	305 178	334 175	457 160	
	70	58 222	135 220	215 216	285 212	320 205		
	75		125 232	205 230	269 227			

V21-400 400ml/r

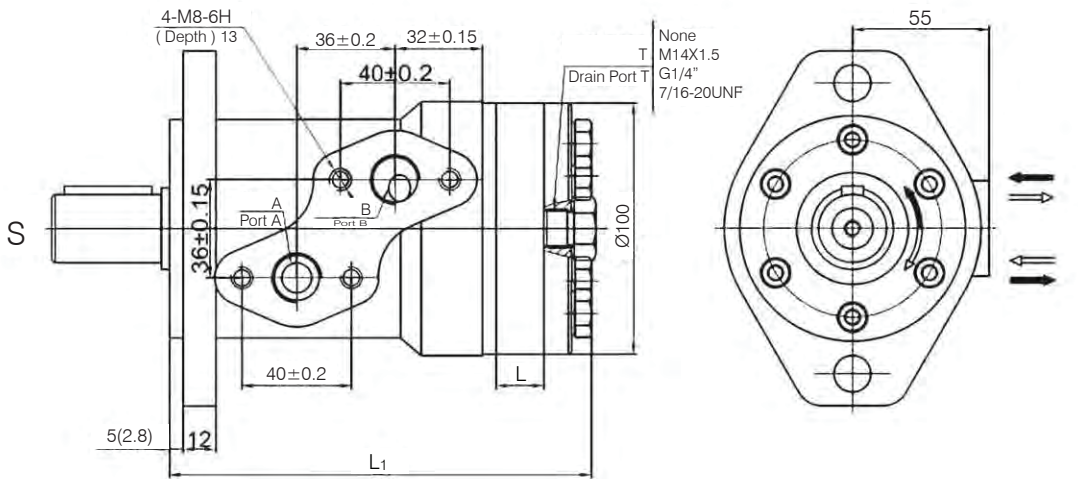
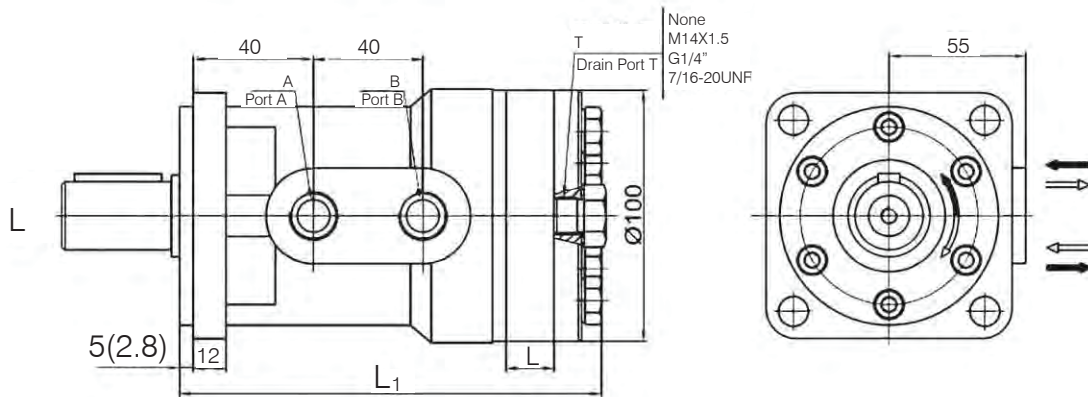
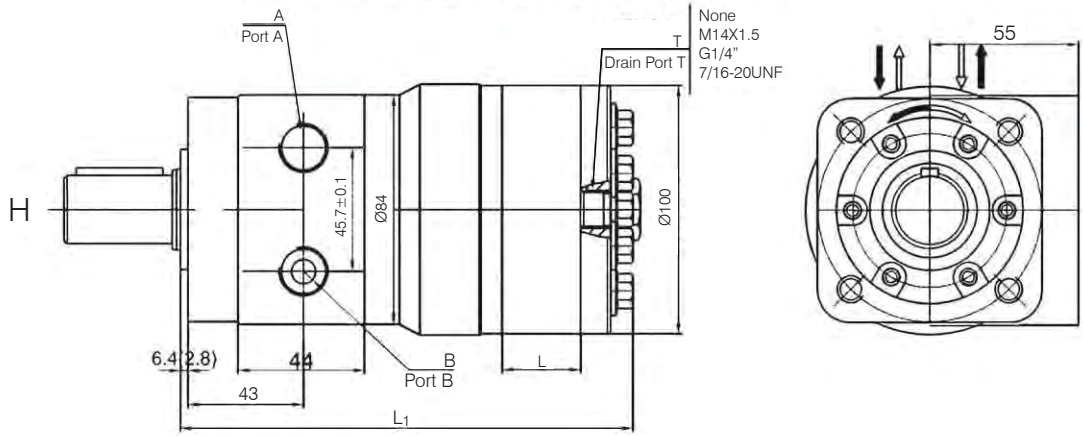
		ΔP (MPa)						
		5	7	9	10.5	12	14	17.5
Flow (L/min)	10	170 24	252 23	370 22	440 20	485 19	595 17	620 16
	20	170 48	281 47	365 45	436 44	480 42	590 40	615 36
	30	154 72	278 70	355 68	426 66	470 63	580 60	610 59
	40	144 95	273 94	350 90	410 83	466 80	576 76	606 70
	50	137 121	269 119	344 116	406 112	460 108	570 101	
	60	135 145	265 140	330 134	390 130	445 118		
	70	120 170	245 169	315 165	370 160			
	75		235 176	300 170				

V21-500 500ml/r

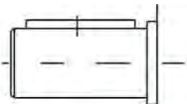
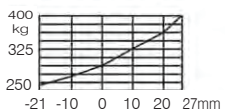
		ΔP (MPa)					
		3	5	6.5	8	9	13
Flow (L/min)	10	200 29	345 27	462 26	582 24	635 22	755 20
	20	199 39	340 38	455 37	575 36	625 34	745 30
	30	190 59	328 58	447 57	566 56	626 54	739 50
	40	188 78	319 77	437 76	556 75	616 73	729 70
	50	180 97	310 96	427 95	546 95	606 93	718 90
	60	175 118	300 117	416 115	432 114	597 112	702 110
	70	170 138	290 137	413 135	421 133	586 131	
	75	160 158	278 157	402 155			

All the data was tested at 50° C with N68 anti-wear hydraulic oil. Actual data may vary slightly from unit in production.

WINMAN V21 Boyutlar ve Montaj Verileri / V21 Dimensions and Mounting Data



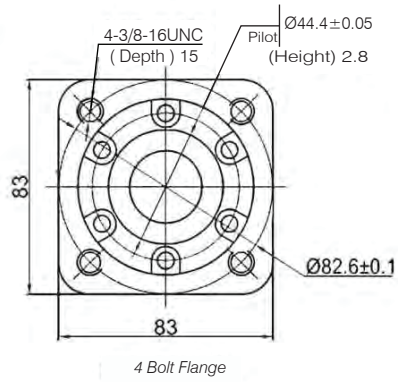
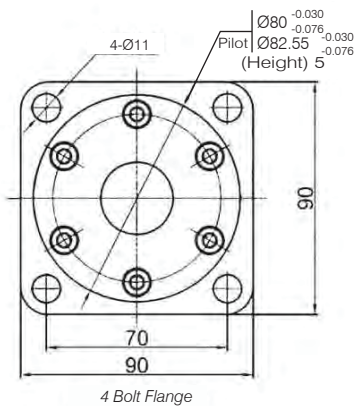
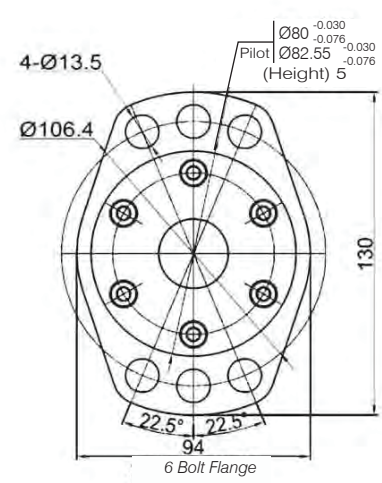
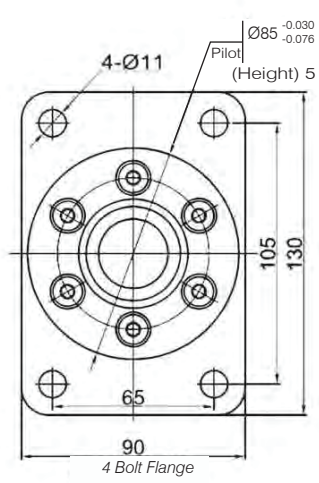
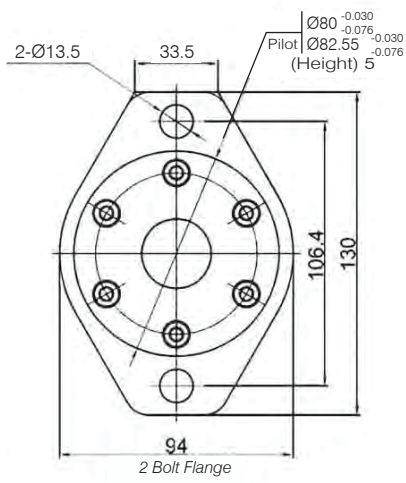
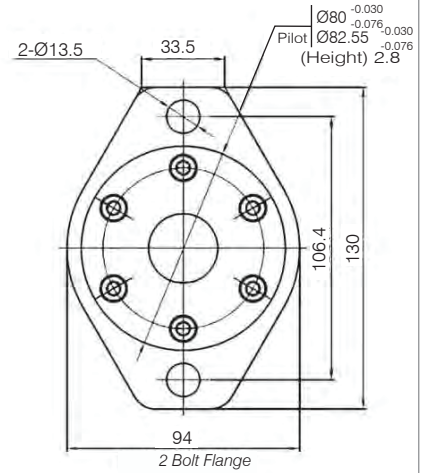
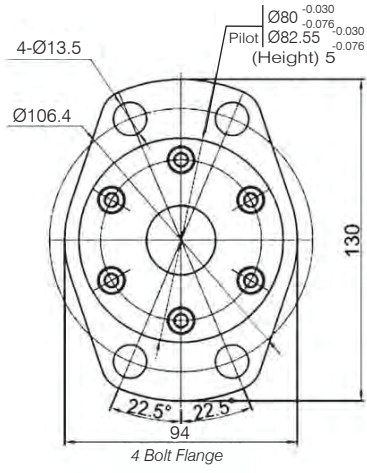
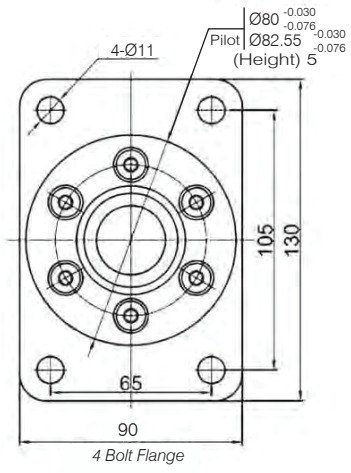
Radial Load : 400Kg Max.
Axis Load: 200Kg Max.



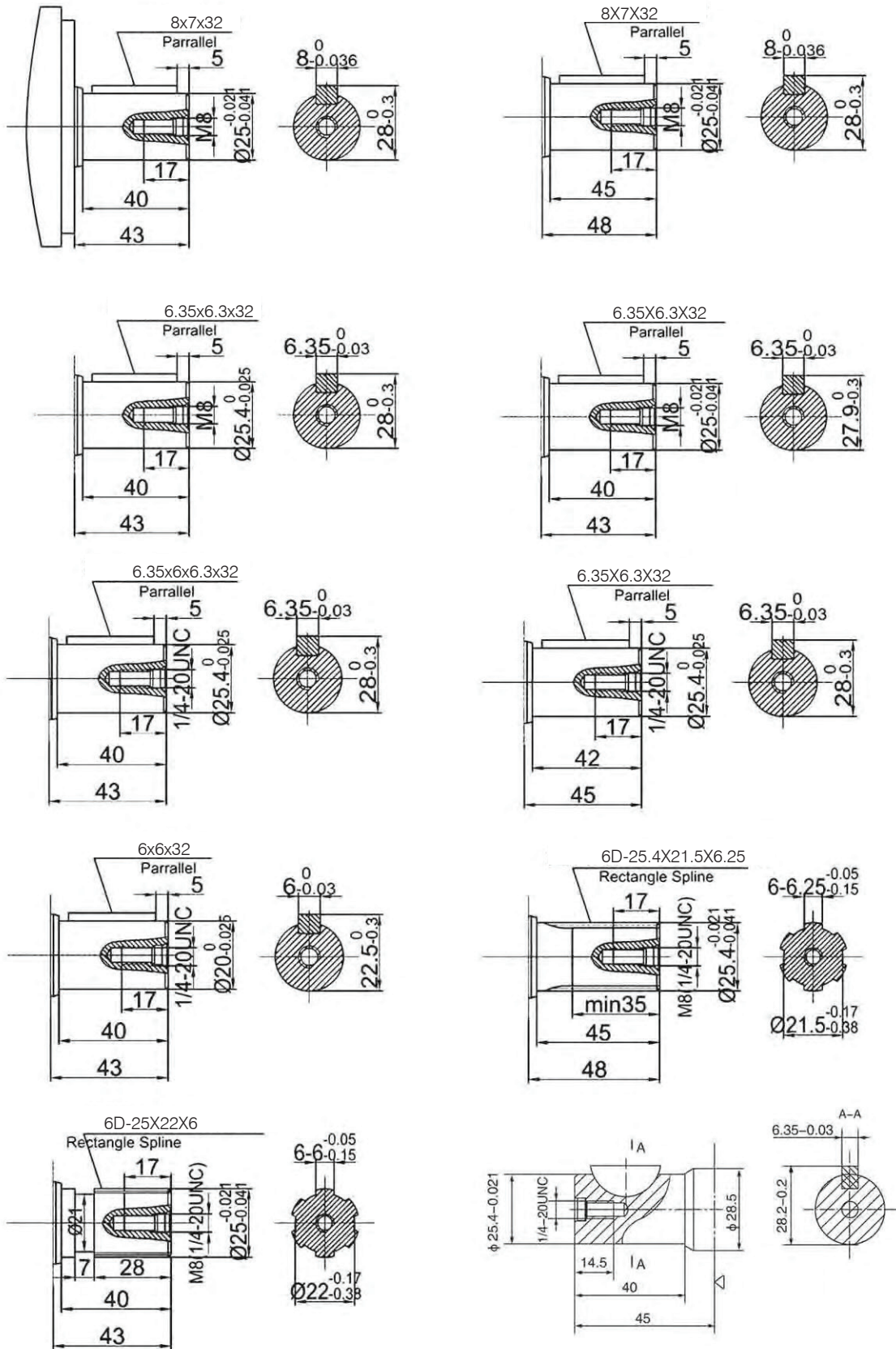
Displacement	50	63	80	100	125	160	200	250	315	400
L	9	11.5	14.5	18	22.5	28.8	37	44.6	55	72
L1	147	149.5	152.5	156	160.5	168.8	175	182.6	193	210

Direction of shaft rotation: standard
When facing shaft end of motor, shaft rotation:
Clockwise when port "A" is pressurized.
Counter-clockwise port "B" is pressurized.

WINMAN V21 Boyutlar ve Montaj Verileri / V21 Dimensions and Mounting Data



WINMAN V21 Boyutlar ve Montaj Verileri /V21 Dimensions and Mounting Data



WINMAN V21 Sipariş Bilgileri / V21 Ordering Information

Feature	Shaft	Oil port/ drain port	Displacement/NO.										
			50	63	80	100	125	160	200	250	315	400	
Rhomb flange; pilot:Ø82.55	Ø25.4 Flat key:6.35; shaft thread:1/4-20UNC	S type G1/2; no drain port											
		S type G1/2; M14X1.5											
		S type G1/2; G1/4											
	Ø25.4 Flat key:6.35; shaft thread: M8	S type G1/2; no drain port											
	Ø25 Flat key:8; shaft thread: M8	S type G1/2; no drain port											
		S type G1/2; G1/4	110 453-21	-	110 453-21	110 454-21	110 455-21	110 456-21	110 457-21	110 458-21	110 459-21	110 460-21	
	S type G1/2; M14X1.5												
Rhomb-flange; pilot:Ø80	Ø25 Flat key:8; shaft thread:M8	S type G1/2; no drain port											
Rhomb- flange;pilot: Ø82.55	Ø25 Flat key:8; shaft thread:M8	S type G1/2; G1/4											
Rhomb flange; pilot Ø82.5; scraper seal	Ø25 Flat key:8; shaft thread:M8	M18X1.5; no drain port											
		M18X1.5; M14X1.5											
	Shaft 6D-25X21.5X6; shaft thread:M8	M18X1.5; M14X1.5											
	Ø25 Flat key:8; shaft thread:M8	L typeG1/2; no drain port											
Square flange; pilot Ø82.55;	Ø25 Flat key:8; shaft thread: M8	M18X1.5; M14X1.5											
4 bolt flange; pilot:Ø82.55	Ø25.4 Flat key:6.35; shaft thread: M8	S type G1/2; G1/4											
	Ø25 Flat key:8; shaft thread: M8	S type G1/2; G1/4											
	Shaft 6D-25.4X21.5X6.25; Shaft thread: 1/4-20UNC	S type G1/2; G1/4											
4 bolt flange 105x65; pilot Ø80	Ø25 Flat key:8; shaft thread: M8	M18X1.5; M14X1.5											
4 bolt flange 105x65; pilot Ø80	Shaft 6D-25X21.5X6; Shaft thread:M8	M18X1.5; no drain port											

Not: Diğer modeller için bilgi alınız.

WINMAN Tip Numarası V21 Performans Verisi / Type Number-V21 Series Motors

1	2	3	4	5	6	7	8
BM2							

1) V21

Position V21 series motors

2) CC/R

Position displacement

- 1, 50
- 2, 63
- 3, 80
- 4, 100
- 5, 125
- 6, 160
- 7, 200
- 8, 250
- 9, 315
- 10, 400
- 11, 500

3) Position Flange and pilot

- A, 2 bolt Rhomb-flange, pilot Ø80x2.8mm
- B, 2 bolt Rhomb-flange, pilot Ø82.55x2.8mm
- C, 2 bolt Rhomb-flange, pilot Ø80x5mm
- D, 2 bolt Rhomb-flange, pilot Ø82.55x5mm
- E, 4 bolt Rhomb-flange, pilot Ø80x5mm
- F, 4 bolt Rhomb-flange, pilot Ø82.55x5mm
- G, 4 bolt Square flange, pilot Ø80x5mm
- H, 4 bolt Square flange, pilot Ø82.55x5mm
- I, 4 bolt Square flange, pilot Ø85x5mm
- J, 4 bolt Square flange, pilot Ø44.4x2.8mm
- K, 6 bolt Rhomb-flange, pilot Ø80x5mm
- L, 6 bolt Rhomb-flange, pilot Ø82.55x5mm

3) Position shaft

- 1, Ø25 straight shaft, flat key 8x7x32
- 2, Ø25 straight shaft, flat key 6.35x6.3x32
- 3, Ø25.4 straight shaft, flat key 6.35x6.3x32
- 4, Ø20 straight shaft, flat key 6x6x32
- 5, Splined shaft 6D-25.4X21.5X6.25
- 6, Splined shaft 6D-25X22X6

1) Position oil port

- A, G1/2
- B, M22X1.5
- C, 1/2-14NPTF
- D, ZGI/2
- E, M18X1.5
- F, M20X1.5
- G, 7/8-14UNF

1) Position oil port

- A, G1/2
- B, M22X1.5
- C, 1/2-14NPTF
- D, ZGI/2
- E, M18X1.5
- F, M20X1.5
- G, 7/8-14UNF

6) Position drain port

- 2, M14x1.5
- 3, G1/4
- 4, 7/16-20UNF

6) Position paint color

- A, silver paint
- B, blue
- C, black
- D, no paint

8) Position rotation direction

- A, standard
- B, opposite